

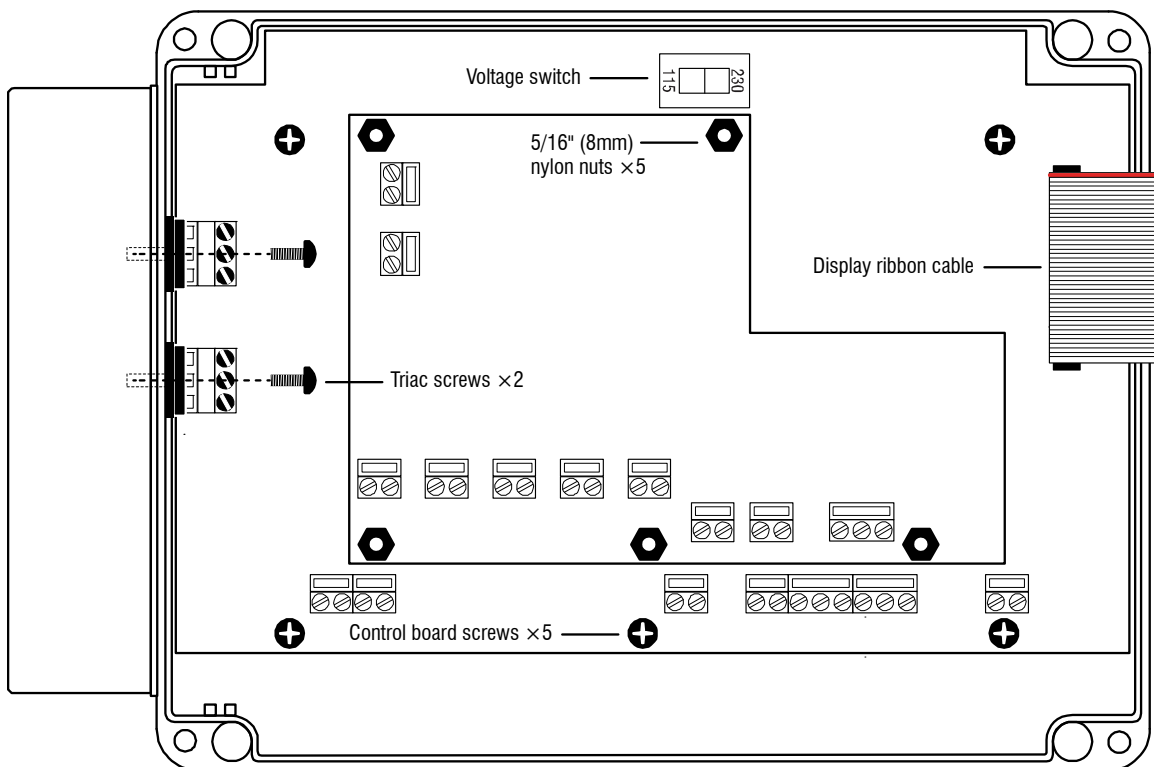
## PBx-11 control board kit

The PBx-11 control board kit (K329011) is a replacement bottom circuit board for your PBx-11 control. Follow the instructions below to replace the circuit board.



Before servicing your PBx-11, switch OFF the power at the source.

### PBx-11 layout



### Removing the old circuit board

1. Switch off the power to the PBx-11.
2. Remove the cover from the unit.
3. Disconnect the ribbon cable from the circuit board.

4. Label all remaining wires.
5. Remove the wires from the terminals.
6. Remove the five nylon nuts (5/16", 8 mm) fastening the relay board to the control board.
7. Remove the relay board from the enclosure.
8. Remove the two black screws fastening the triacs to the heatsink.
9. Remove the five screws fastening the circuit board to the enclosure.
10. Remove the circuit board from the enclosure.

## **Installing the new circuit board**

1. Wipe the white grease and dust from the inside of the heatsink.
2. Set the voltage selection switch on the new circuit board to the voltage you are using.
3. Remove the orange caps from the triacs. Do not contaminate the white grease with dust or foreign particles.
4. Place the circuit board in the enclosure.
5. Fasten the circuit board to the enclosure using the five screws.
6. Press the triacs against the heatsink and fastened them in place using the two black screws. The triacs must be flush against the heatsink. Do not over tighten the screws.
7. Verify the terminal screws holding the triacs leads are tight.
8. Align the relay board with the slots in the sockets. Insert the pins correctly into the sockets and do not bend any of them. Failure to do this will burn out the circuit board.
9. Fasten the relay board to the control board using the five nylon nuts.
10. Reconnect the wires to their correct terminals.
11. Reconnect the ribbon cable to the socket.
12. Verify all the wires are properly connected to their correct locations.
13. Switch on the power to the control and then verify it operates properly using manual override. If it does not operate properly, check the wiring and ribbon cable connection. If the unit still will not operate properly, contact your dealer.
14. Fasten the cover to the enclosure using the four screws.

### **Phason Inc.**

2 Terracon Place

Winnipeg, Manitoba, Canada

R2J 4G7

32941100

Phone: 204-233-1400

Fax: 204-233-3252

E-mail: [support@phason.ca](mailto:support@phason.ca)

Web site: [www.phason.ca](http://www.phason.ca)

2012-10-19